

# 7

## Parts and diagrams

This chapter contains the following sections.

Ordering parts and supplies .....	282
Parts that wear .....	282
Parts .....	282
World-wide customer support .....	282
Accessories .....	284
Common hardware .....	284
How to use the parts lists and diagrams .....	285
HP LaserJet 3015 scanner assembly .....	286
HP LaserJet 3020/3030 scanner assembly .....	296
HP LaserJet 3015/3020/3030 printer base.....	304

# Ordering parts and supplies

## Parts that wear

The parts on the product that wear are listed in [Life expectancies of parts that wear](#) in [Table 3-1. Life expectancies of parts that wear](#). Parts are available directly from Hewlett-Packard at the following URL: <http://partsdirect.hp.com>.

## Parts

Order replacement parts from the following website: <https://partsdirect.hp.com/epdo/default/mainmenu.asp>

## World-wide customer support

Order documentation and software from the websites listed in [Table 7-1. Technical support websites and related documentation](#):

**Table 7-1. Technical support websites and related documentation**

<b>HP Connect Online</b> (for HP partners)	<a href="http://www.connect-online.hp.com">http://www.connect-online.hp.com</a>
<b>HP Customer Care Call Centers</b> Information for contacting HP call centers in specific countries/regions.	<a href="http://www.hp.com/support/callcenters">http://www.hp.com/support/callcenters</a>
<b>HP Online Technical Support</b> Software drivers, support documentation, and answers to frequently asked questions	<a href="http://www.hp.com/support">http://www.hp.com/support</a>
<b>HP Technical Training (North America)</b> Classes and schedules	<a href="http://www.compaq.com/training">http://www.compaq.com/training</a>  Note: Select your country/region in the "select a country or region" field at the top, right corner of the page.
<b>Parts</b> Parts information	<a href="http://partsurfer.hp.com">http://partsurfer.hp.com</a>

**Table 7-1. Technical support websites and related documentation (continued)**

<p><b>Fax guide</b></p>	<ul style="list-style-type: none"><li>● <b>Q2660-90920</b> English, Spanish (Castilian), and Portuguese (Brazilian)</li><li>● <b>Q2660-90921</b> English, French (European), German, and Dutch</li><li>● <b>Q2660-90924</b> English, Russian, Turkish, and Arabic</li><li>● <b>Q2660-90925</b> English, Korean, Simplified Chinese, and Thai</li><li>● <b>Q2660-90926</b> English, Traditional Chinese, Indonesian (Bahasa), and Vietnamese</li><li>● <b>Q2660-90928</b> English, Italian, Spanish (Castilian), and Portuguese (Brazilian)</li><li>● <b>Q2660-90929</b> English, Finnish, and Swedish</li><li>● <b>Q2660-90930</b> English, Danish, and Norwegian</li><li>● <b>Q2660-90931</b> English, Hungarian, and Polish</li><li>● <b>Q2660-90932</b> English, Hebrew, and Greek</li><li>● <b>Q2660-90933</b> English and French (European)</li><li>● <b>Q2660-90934</b> English, Czech, and Slovak</li></ul>
-------------------------	--

## Accessories

The following accessories are available for the HP LaserJet 3015, 3020, and 3030 products.

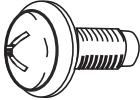
**Table 7-2. Accessories**

Product name	Description	Part number
Print cartridge	2,000-page cartridge	Q2612A
Toner cloth	Ideal for wiping up toner spills	5090-3379
Scanner hinge tool	Use this tool to keep the scanner assembly from falling off of the printer when the entire assembly is being removed.	5185-7441
Fax telephone cord	2-wire 3-meter (9.8-foot) fax telephone cord	8121-0811
Parallel cable	2-meter (6.6-foot) IEEE-1284 parallel cable	C2950A
Parallel cable	3-meter (9.8-foot) IEEE-1284 parallel cable	C2951A
USB cable	2-meter (6.6-foot) USB cable	8121-0539
USB cable	0.6-meter (2-foot) USB cable	8121-0549
Power cord 1.8-meter (6 feet)	U.S./Canada	8120-8382
Power cord 1.8-meter (6 feet)	Europe	8121-0516
Power cord 1.8-meter (6 feet)	UK	8121-0517
Power cord 1.8-meter (6 feet)	Danish	8121-0518
Power cord 1.8-meter (6 feet)	Switzerland	8121-0519
Power cord 1.8-meter (6 feet)	South America	8121-0520
Power cord 1.8-meter (6 feet)	Israel	8121-0521

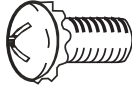
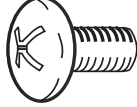

## Common hardware

The product has three common fasteners. See [Table 7-3. Common fasteners](#) for a description of these screw types.

**Table 7-3. Common fasteners**

Example	Description
	Screw, machine, truss head

**Table 7-3. Common fasteners (continued)**

Example	Description
	Screw, star
	Screw, self-tapping
	Screw, torx

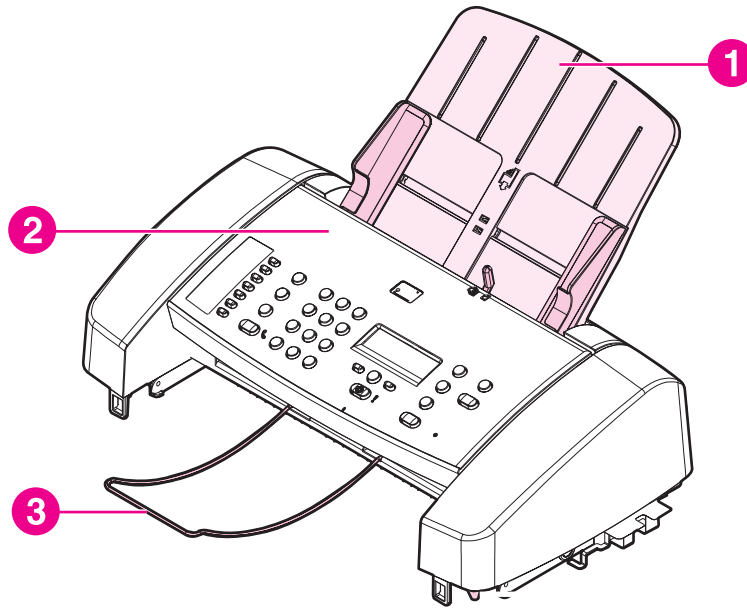
## How to use the parts lists and diagrams

The figures in this chapter illustrate the major subassemblies in the product and their component parts. A table (material list) follows each exploded assembly diagram. Each table lists the reference designator, the associated part number for the item, and a description of the part.

Parts that have no reference designator or part number are not field-replaceable units (FRUs) and cannot be ordered.

While looking for a part number, pay careful attention to the voltage listed in the description column to make sure that the part number selected is for the correct product model.

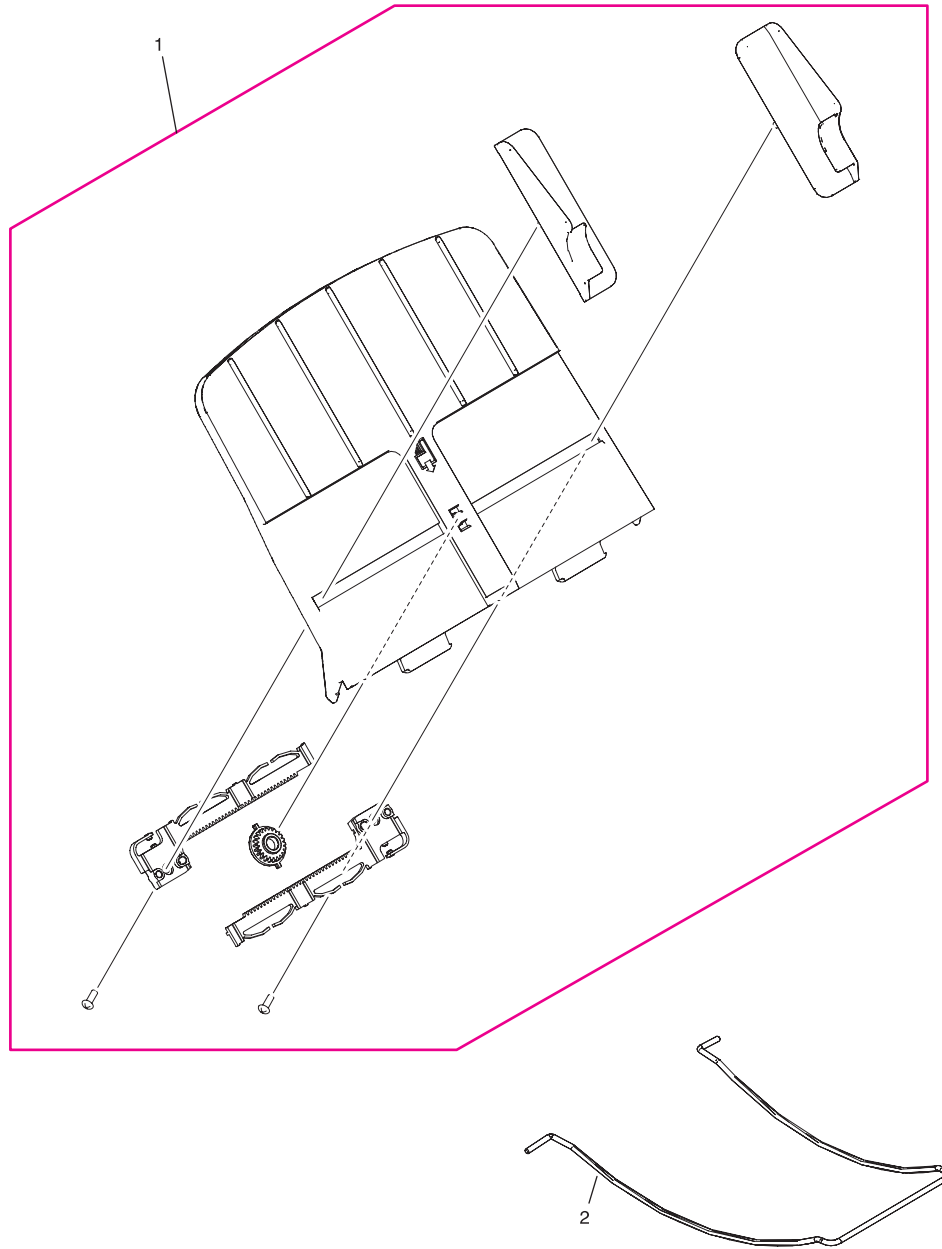
## HP LaserJet 3015 scanner assembly



**Figure 7-1.** HP LaserJet 3015

Ref	Description	Part number	Qty
1	HP LaserJet 3015 scanner assembly	NA	
2	Scanner control panel assembly	RK2-0232-000CN	
3	Scanner tray, delivery (wire)	RC1-2560-000CN	1
Not shown	LJ3015 formatter <sup>LIU1</sup>	Q2668-60001	1

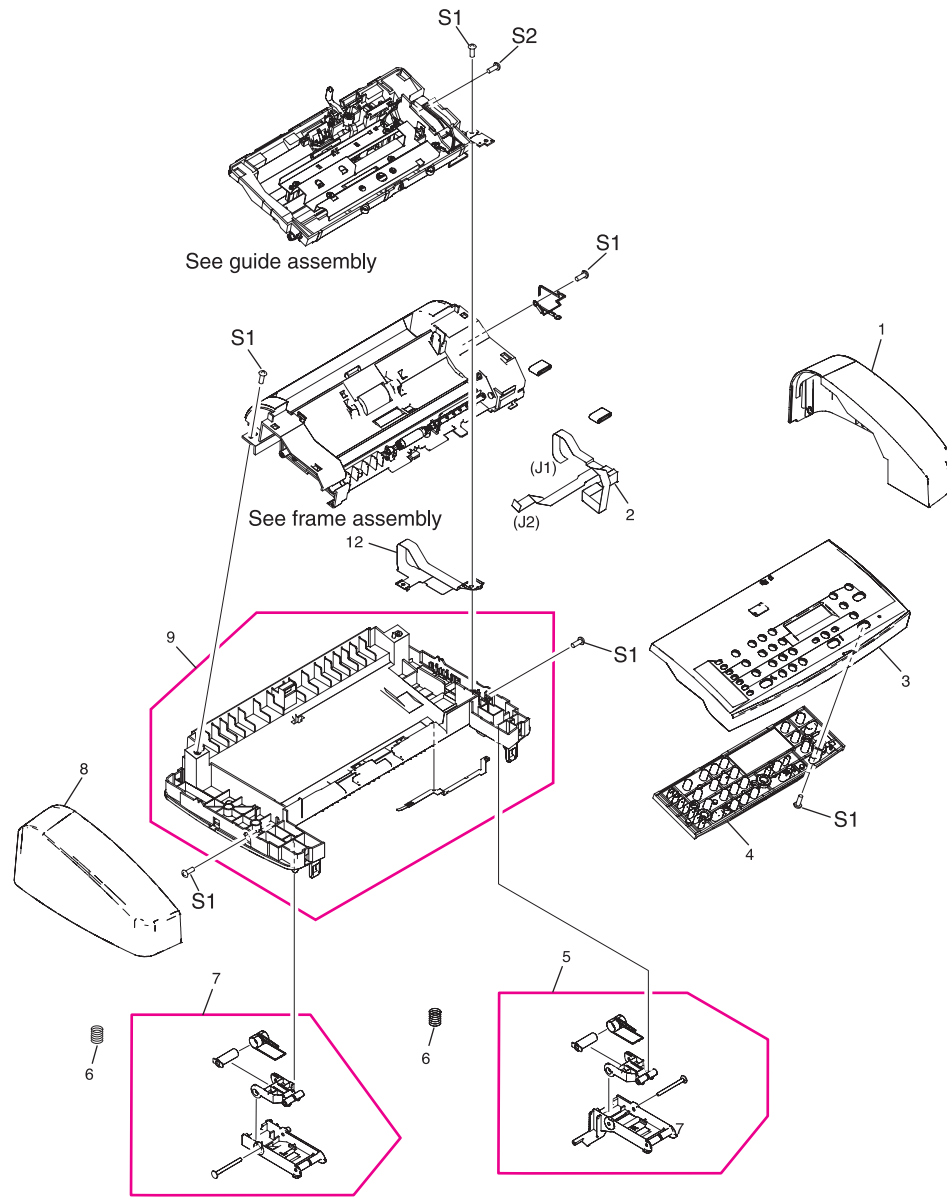
<sup>LIU1</sup>To order the line interface unit (LIU) or print cartridge, see [HP LaserJet 3015/3020/3030 printer base](#),



**Figure 7-2.** ADF input and delivery assemblies (HP LaserJet 3015)

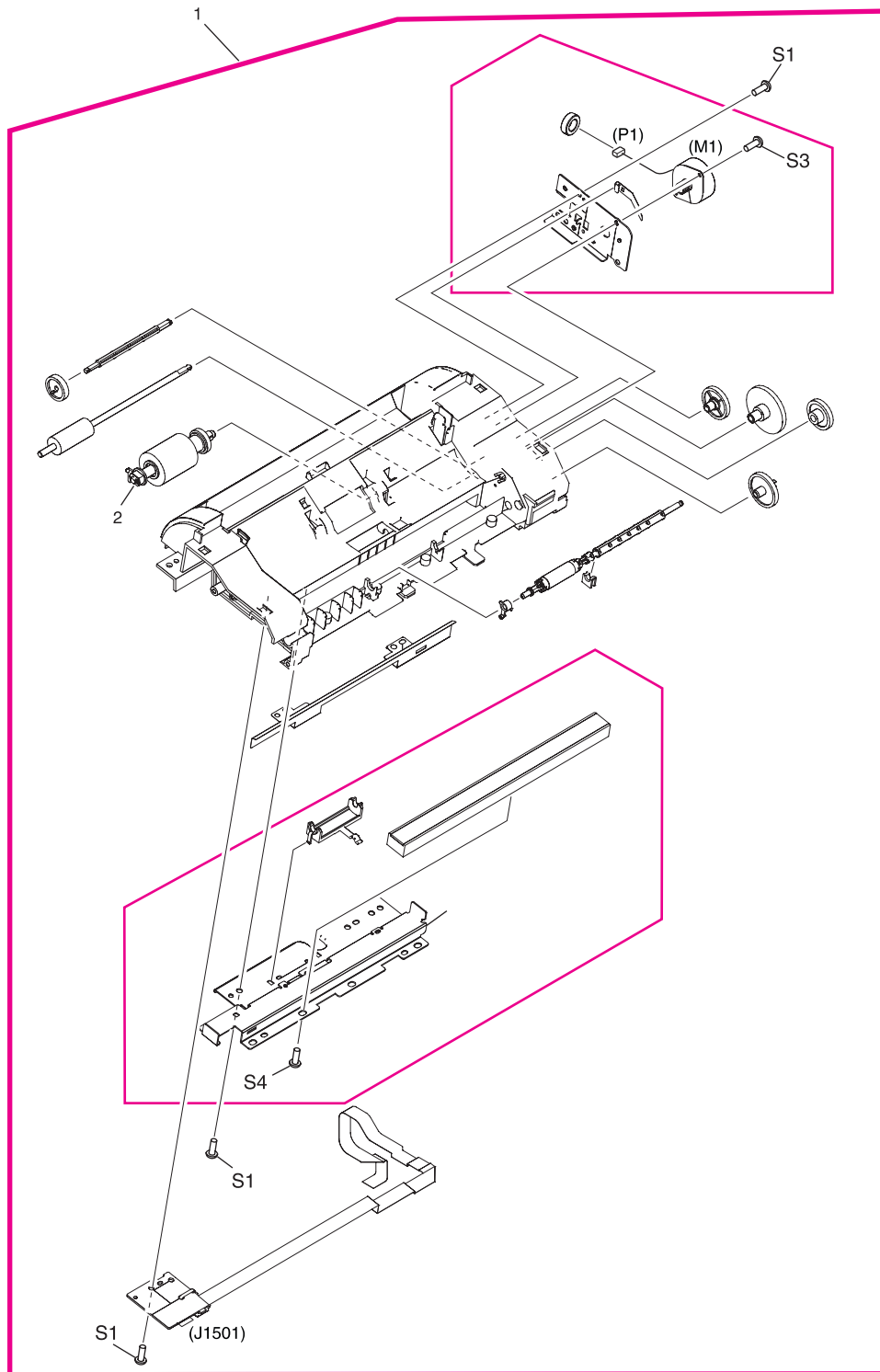


<b>Ref</b>	<b>Description</b>	<b>Part number</b>	<b>Qty</b>
1	Scanner pickup tray assembly	RM1-0893-000CN	1
2	Scanner tray, delivery (wire)	RC1-2560-000CN	1



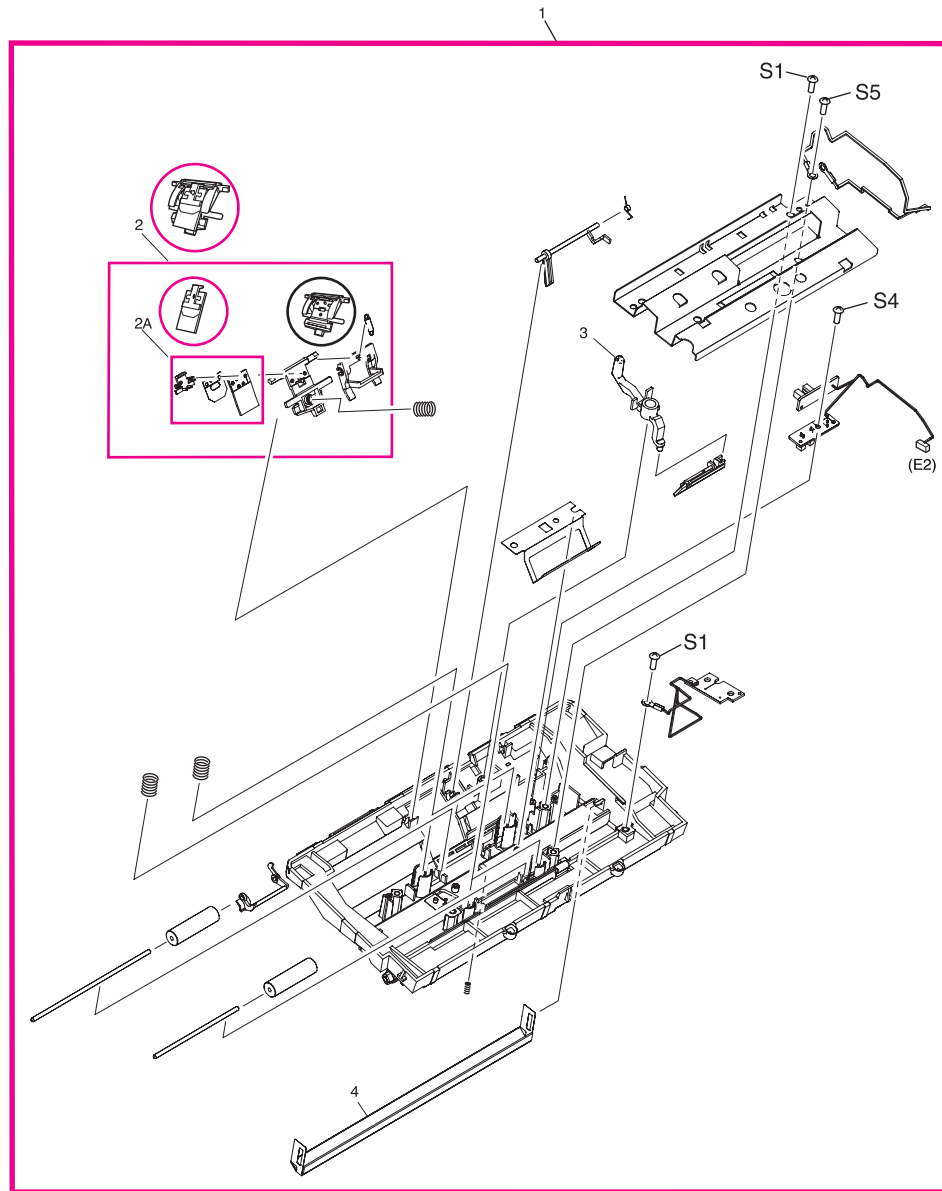
**Figure 7-3.** Internal components (HP LaserJet 3015)

<b>Ref</b>	<b>Description</b>	<b>Part number</b>	<b>Qty</b>
1	Scanner cover, right	RC1-2559-000CN	1
2	Scanner flexible flat cable (FFC)	RK2-0236-000CN	1
3	Scanner cover top assembly	RC1-2564-000CN	1
NA	3015 English bezel	Q2669-40002	1
NA	Scanner control-panel overlay; French	Q2669-00001	1
NA	Scanner control-panel overlay; German	Q2669-00002	1
NA	Scanner control-panel overlay; Italian	Q2669-00003	1
NA	Scanner control-panel overlay; Spanish	Q2669-00004	1
NA	Scanner control-panel overlay; Danish	Q2669-00005	1
NA	Scanner control-panel overlay; Dutch	Q2669-00006	1
NA	Scanner control-panel overlay; Finnish	Q2669-00007	1
NA	Scanner control-panel overlay; Portuguese	Q2669-00008	1
NA	Scanner control-panel overlay; Swedish	Q2669-00009	1
NA	Scanner control-panel overlay; Czech	Q2669-00010	1
NA	Scanner control-panel overlay; Hungarian	Q2669-00011	1
NA	Scanner control-panel overlay; Polish	Q2669-00012	1
NA	Scanner control-panel overlay; Russian	Q2669-00013	1
NA	Scanner control-panel overlay; Slovak	Q2669-00014	1
NA	Scanner control-panel overlay; Turkish	Q2669-00015	1
NA	Scanner control-panel overlay; Arabic	Q2669-00016	1
NA	Scanner control-panel overlay; Norwegian	Q2669-00023	1
4	Scanner control-panel assembly	RK2-0232-000CN	
5	Scanner link assembly, right (HP LaserJet 3015)	RM1-0897-000CN	1
6	Scanner spring, compression	RU5-2198-000CN	2
7	Scanner link assembly, left (HP LaserJet 3015)	RM1-0896-000CN	1
8	Scanner cover, left	RC1-2358-000CN	1
9	Scanner base frame assembly (scanner support frame)	RL1-0375-000CN	1
10	Scanner sheet, grounding	RL1-0376-000CN	1
S1	Screw, tap M4X10	XB4-5401-009CN	6
S2	Screw, tap BH3X6	XA9-1503-000CN	1



**Figure 7-4.** Frame assembly (HP LaserJet 3015)

<b>Ref</b>	<b>Description</b>	<b>Part number</b>	<b>Qty</b>
1	LJ3015 scanner frame assembly	RM1-0883-000CN	1
2	LJ3015 scanner pickup assembly	RM1-0885-000CN	1
S1	Screw, tap M4X10	XB4-5401-009CN	3
S3	Screw, machine M3X6	XB1-2300-605CN	1
S4	Screw, w/washer M3X6	XB2-7300-605CN	1



**Figure 7-5.** Guide assembly (HP LaserJet 3015)

Ref	Description	Part number	Qty
1	Scanner guide assembly	RM1-0889-000CN	1
2	Scanner separation-pad assembly	RM1-0890-000CN	1
2A	Scanner separation pad set	RM1-0891-000CN	1
3	Scanner media lever (lever, pressure convert)	RC1-2543-000CN	1
Not shown	Scanner media lever torsion spring (lever, pressure convert)	RC1-2544-000CN	1
4	Scanner white platen	RF5-3235-000CN	1
Not shown	Compression spring (white platen)	RU5-2196-000CN	3
S1	Screw, tap M4X10	XB4-5401-009CN	2
S4	Screw, w/washer M3X6	XB2-7300-605CN	1
S5	Screw, rs M3X6	XA9-1495-000CN	1

---

**Note**

The *separation pad set* and the *separation pad assembly* are two different assemblies.

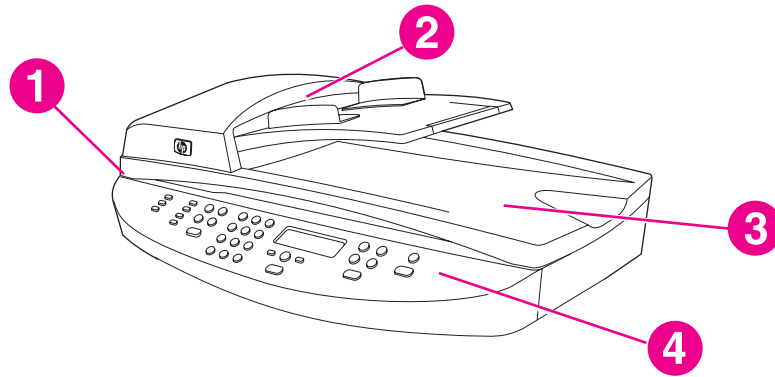
The separation pad set consists of the pad, clear plastic sheet, and the pad cover. The separation pad set *is* a user replaceable assembly.

The separation-pad assembly consists of the separation lever, tension spring, feed arm, and the components of the separation pad set. The separation-pad assembly *is not* a user replaceable assembly.

---

Only trained service personnel should attempt to replace the separation-pad assembly.

## HP LaserJet 3020/3030 scanner assembly

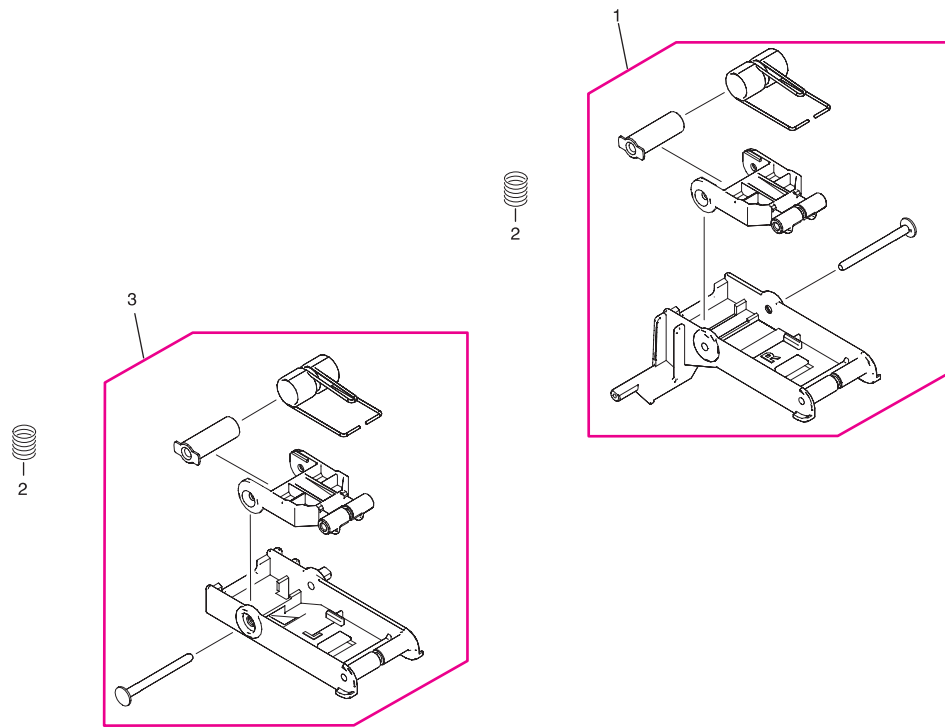


**Figure 7-6.** HP LaserJet 3020/3030 scanner assembly



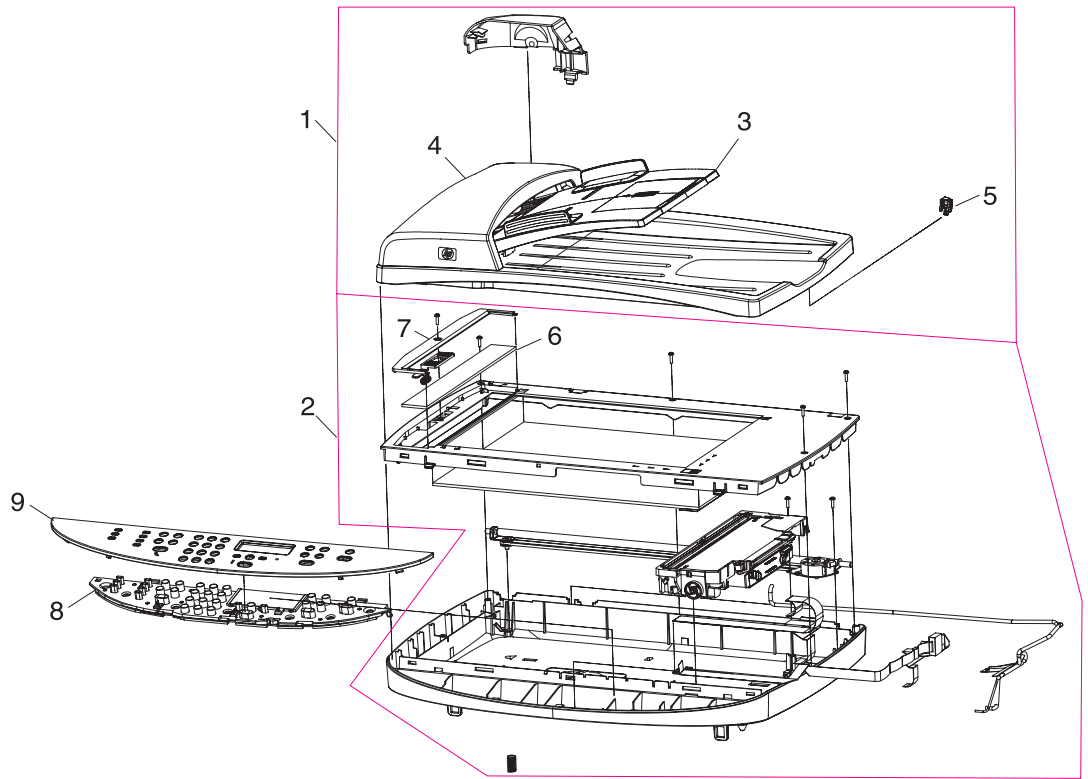
Ref	Description	Part number	Qty
1	HP LaserJet 3020/3030 scanner assembly	NA	
2	Automatic document feeder and flatbed lid (ADF; part of the flatbed lid)	Q2665-60102-000CN	1
3	Flatbed scanner assembly	Q26665-60112-000CN	1
4	LJ3020 copy control panel	Q2665-60101	
4	LJ3030 fax control panel	Q2666-60101	
Not shown	LJ3020 formatter	C2688-60002	1
Not shown	LJ3030 formatter <sup>LIU2</sup>	Q2664-60001	1

<sup>LIU2</sup>To order the line interface unit (LIU) or toner cartridge, see [HP LaserJet 3015/3020/3030 printer base](#).



**Figure 7-7.** Link assembly (HP LaserJet 3020/3030)

<b>Ref</b>	<b>Description</b>	<b>Part number</b>	<b>Qty</b>
1	LJ3020/3030 scanner link assembly right	RM1-0899-000CN	1
2	LJ3020/3030 scanner spring, compression	RU5-2199-000CN	2
3	LJ3020/3030 scanner link assembly left	RM1-0898-000CN	1



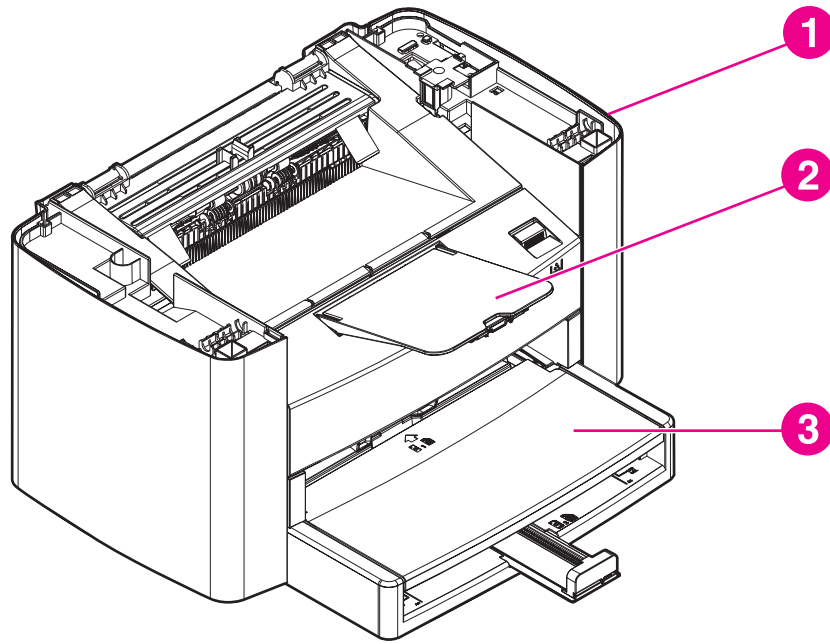
**Figure 7-8.** Major assemblies (HP LaserJet 3020/3030)

Ref	Description	Part number	Qty
1	ADF assembly and flatbed lid	Q2665-60102	1
2	Flatbed scanner assembly (does not include the flatbed lid)	Q2665-60112	1
Not shown	Separation pad	C7309-60009	1
3	ADF input tray	Q2665-60109	1
Not shown	ADF pickup-roller assembly	C7309-60016	1
Not shown	ADF cleanout/comb	C7309-40153	1
Not shown	ADF input-tray flag	C7309-40013	1
Not shown	ADF input-tray spring	C7309-80013	1
4	LJ3020/3030 ADF lid	Q26665-60102	1
5	LJ3020/3030 ADF solar lock (clip)	Q1636-40036	1
6	LJ3020/3020 ADF glass	C7296-00014	1
7	ADF glass frame	Q1636-40037	1
8	LJ3020 copy control panel	Q2665-60101	1
9	3020 bezel; English	Q2665-40010	1
9	3020 bezel; French	Q2665-40018	1
9	3020 bezel; German	Q2665-40019	1
9	3020 bezel; Italian	Q2665-40020	1
9	3020 bezel; Spanish	Q2665-40021	1
9	3020 bezel; Danish	Q2665-40022	1
9	3020 bezel; Dutch	Q2665-40023	1
9	3020 bezel; Finnish	Q2665-40024	1
9	3020 bezel; Portuguese	Q2665-40025	1
9	3020 bezel; Swedish	Q2665-40026	1
9	3020 bezel; Czech	Q2665-40027	1
9	3020 bezel; Hungarian	Q2665-40028	1
9	3020 bezel; Polish	Q2665-40029	1
9	3020 bezel; Russian	Q2665-40030	1
9	3020 bezel; Slovak	Q2665-40031	1
9	3020 bezel; Turkish	Q2665-40032	1

<b>Ref</b>	<b>Description</b>	<b>Part number</b>	<b>Qty</b>
9	3020 bezel; Arabic	Q2665-40033	1
9	3020 bezel; Greek	Q2665-40034	1
9	3020 bezel; Hebrew	Q2665-40035	1
9	3020 bezel; Korean	Q2665-40036	1
9	3020 bezel; Simplified Chinese	Q2665-40037	1
9	3020 bezel; Traditional Chinese	Q2665-40038	1
9	3020 bezel; Thai	Q2665-40039	1
9	3020 bezel; Norwegian	Q2665-40040	1
9	3020 bezel; Swiss German	Q2665-40042	1
9	3020 bezel; Vietnamese	Q2665-40043	1
8	LJ3030 fax control panel	Q2666-60101	1
9	3030 bezel; English	Q2666-40002	1
9	3030 bezel; French	Q2666-40003	1
9	3030 bezel; German	Q2666-40004	1
9	3030 bezel; Italian	Q2666-40005	1
9	3030 bezel; Spanish	Q2666-40006	1
9	3030 bezel; Danish	Q2666-40007	1
9	3030 bezel; Dutch	Q2666-40008	1
9	3030 bezel; Finnish	Q2666-40009	1
9	3030 bezel; Portuguese	Q2666-40010	1
9	3030 bezel; Swedish	Q2666-40011	1
9	3030 bezel; Czech	Q2666-40012	1
9	3030 bezel; Hungarian	Q2666-40013	1
9	3030 bezel; Polish	Q2666-40014	1
9	3030 bezel; Russian	Q2666-40015	1
9	3030 bezel; Slovak	Q2666-40016	1
9	3030 bezel; Turkish	Q2666-40017	1
9	3030 bezel; Arabic	Q2666-40018	1
9	3030 bezel; Greek	Q2666-40019	1
9	3030 bezel; Hebrew	Q2666-40020	1
9	3030 bezel; Korean	Q2666-40021	1
9	3030 bezel; Simplified Chinese	Q2666-40022	1
9	3030 bezel; Traditional Chinese	Q2666-40023	1

<b>Ref</b>	<b>Description</b>	<b>Part number</b>	<b>Qty</b>
9	3030 bezel; Norwegian	Q2666-40025	1
9	3030 bezel; Swiss German	Q2666-40027	1

## HP LaserJet 3015/3020/3030 printer base

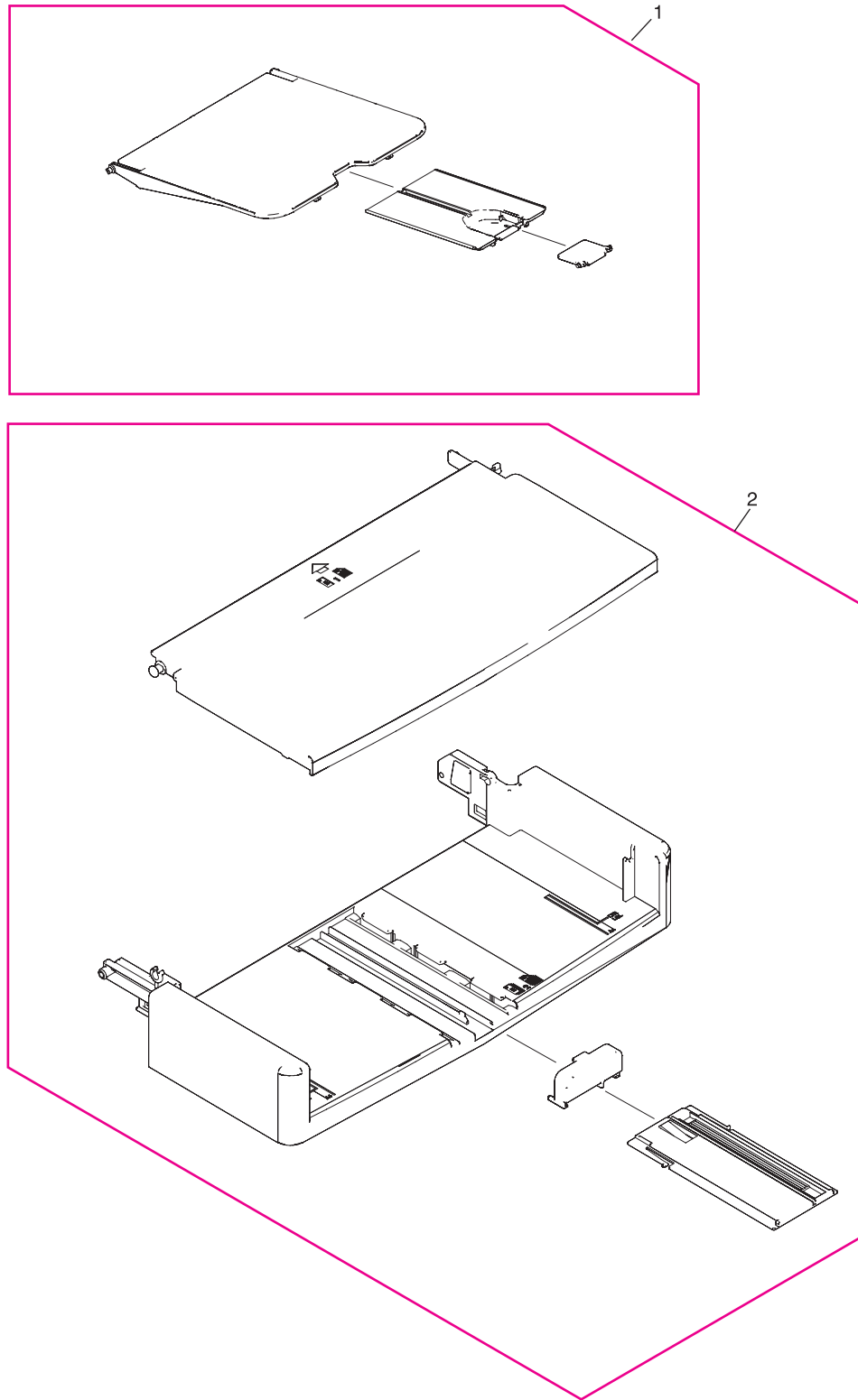


**Figure 7-9.** HP LaserJet 3015/3020/3030 printer base



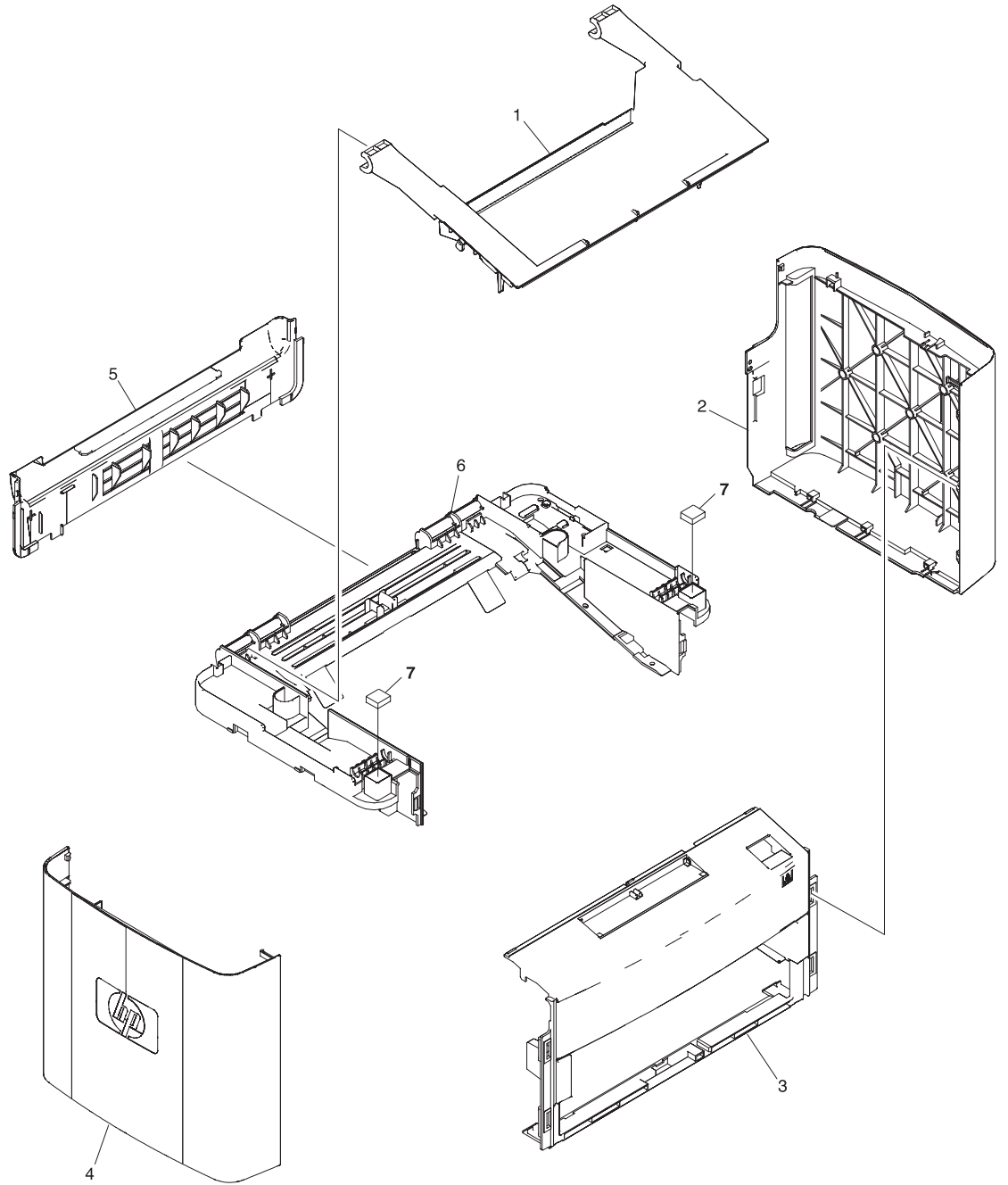
Ref	Description	Part number	Qty
1	3015/20/30 print engine <sup>printer</sup> , replacement 110 V	Q2665-67001	
1	3015/20/30 print engine <sup>printer</sup> , replacement 220 V	Q2665-67002	
2	Delivery tray assembly	RM1-0859-000CN	
3	Pickup tray assembly	RM1-0858-000CN	
Not shown	US/WW LIU (Line interface unit)	Q2663-60001	
Not shown	EMEA LIU (Line interface unit)	Q2687-60002	
Not shown	Print cartridge	Q2460-67913	
NA	HP jewel	7121-8043	

<sup>printer</sup>The HP LaserJet 3015/3020/3030 printer base (reference items 1 or 2) *does not* come with all of the covers and printed circuit assemblies that are required to make it a functioning unit. Components from the unit that is being serviced must be installed onto the replacement printer base.



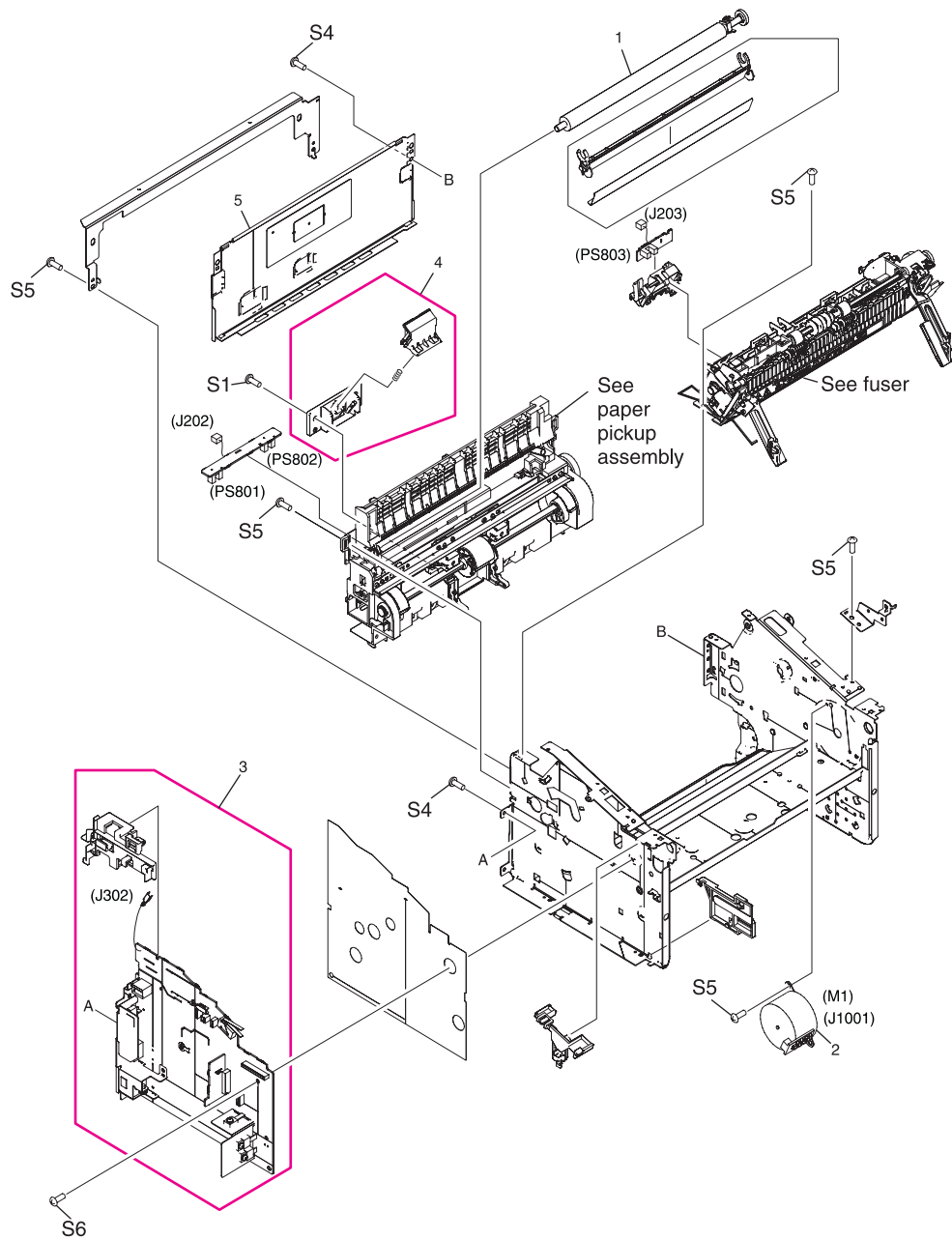
**Figure 7-10.** Pickup and delivery tray assemblies (LJ 3015/3020/3030 printer base)

<b>Ref</b>	<b>Description</b>	<b>Part number</b>	<b>Qty</b>
1	Delivery-tray assembly (product output bin)	RM1-0859-000CN	1
2	Pickup-tray assembly (media input tray)	RM1-0858-000CN	1



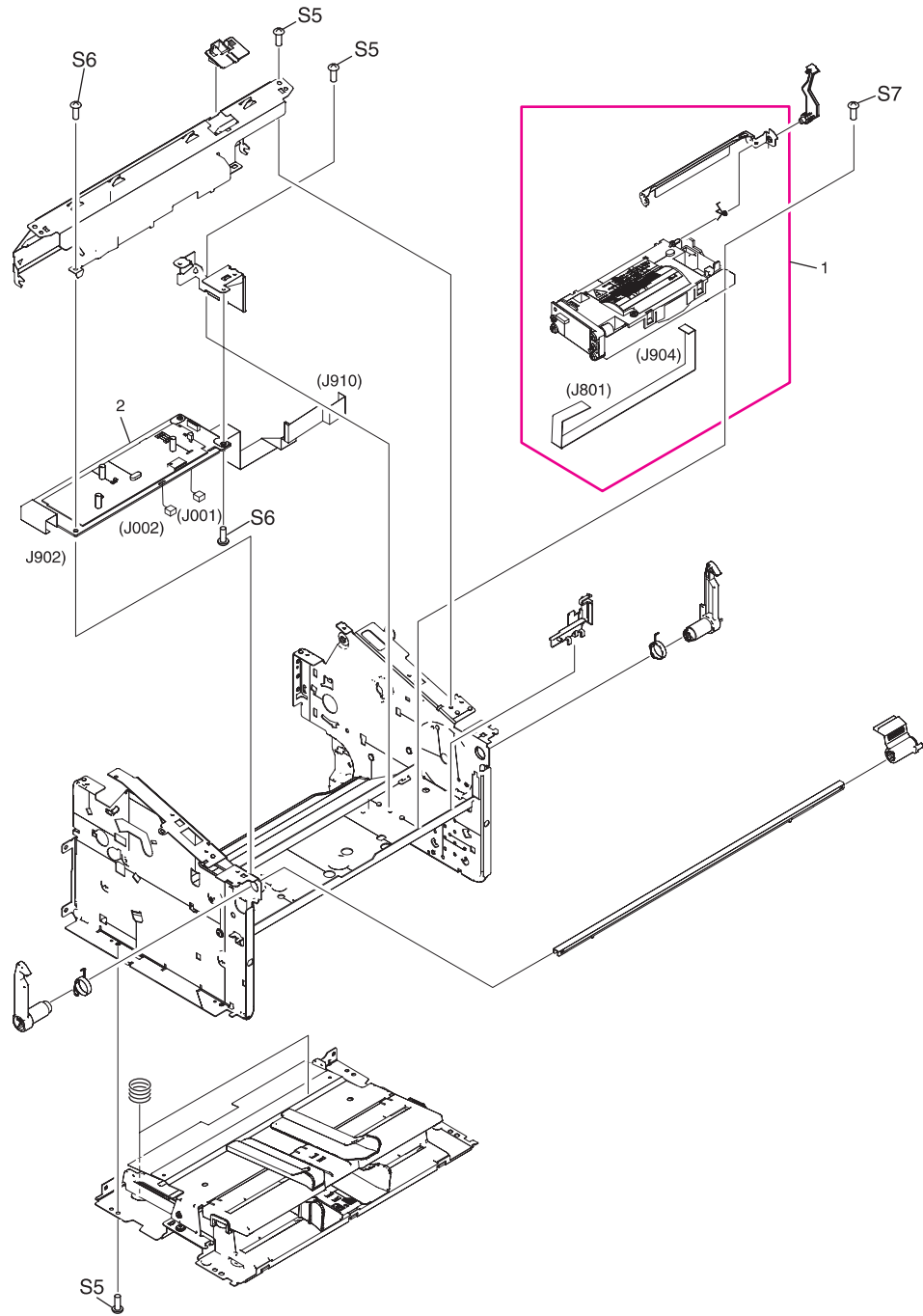
**Figure 7-11.** External covers (LJ 3015/3020/3030 printer base)

<b>Ref</b>	<b>Description</b>	<b>Part number</b>	<b>Qty</b>
1	Door, print cartridge	RC1-2473-000CN	1
2	Cover, right	RC1-2472-000CN	1
3	Cover, front	RL1-0358-000CN	1
4	Cover, left	RC1-2471-000CN	1
5	Cover, rear	RC1-2474	1
6	Cover, top (scanner support frame), printer	RL1-0359-000CN	1
7	Scanner cushion	RC1-2476-000CN	2



**Figure 7-12.** Internal components 1 of 1 (LJ 3015/3020/3030 printer base)

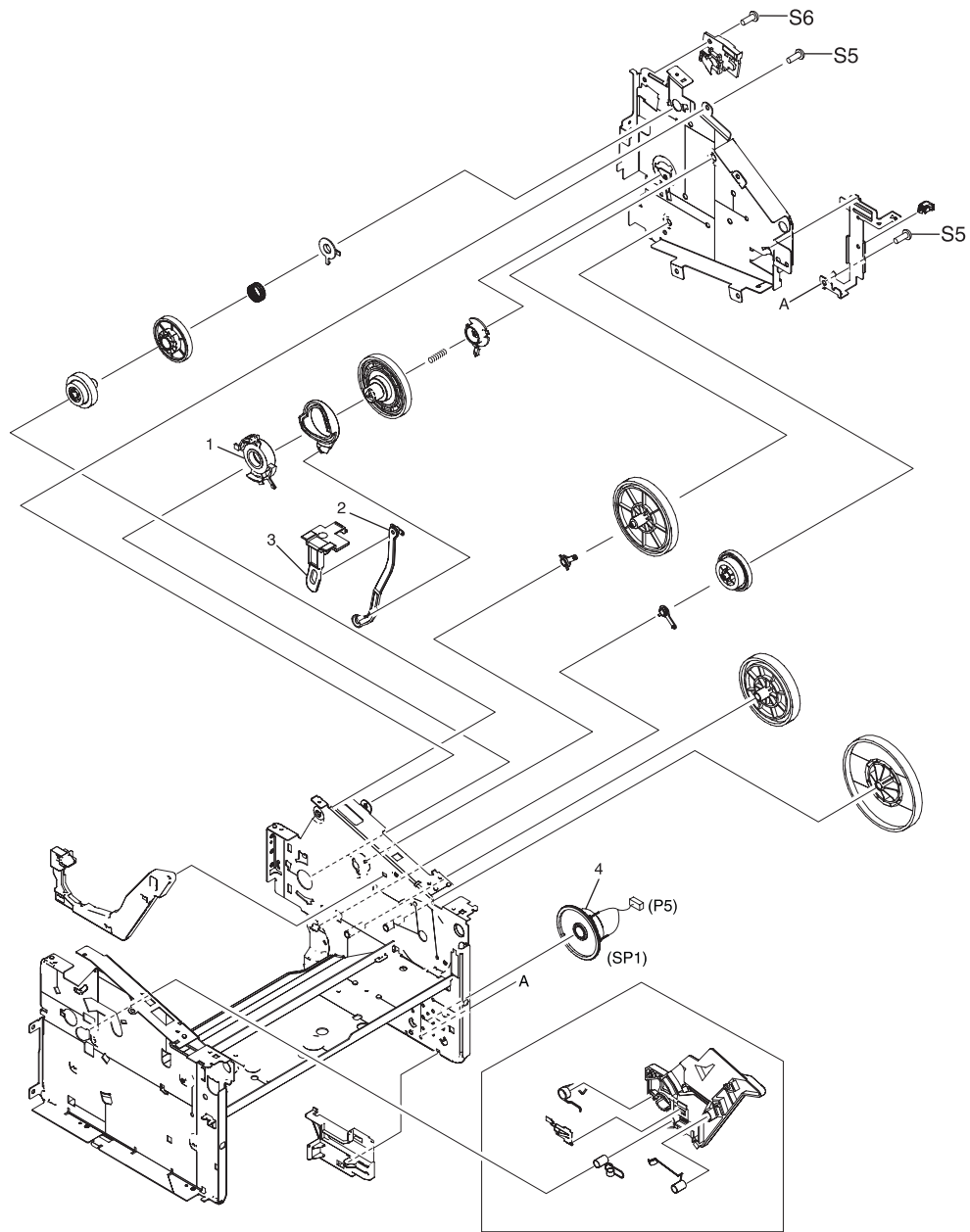
<b>Ref</b>	<b>Description</b>	<b>Part number</b>	<b>Qty</b>
1	Transfer-roller assembly	RM1-0658-000CN	1
2	Motor, stepping	RK2-0107-000CN	1
3	Power-supply assembly, 110-127 V	RM1-0903-000CN	1
3	Power-supply assembly, 220-240 V	RM1-0904-000CN	1
4	Separation-pad assembly, printer	RM1-0648-000CN	1
5	Panel, rear	RC1-1985-000CN	1
S1	Screw, tap M4X10	XB4-5401-009CN	1
S4	Screw, w/washer M3X6	XB2-7300-605CN	2
S5	Screw, rs M3X6	XA9-1495-000CN	5
S6	Screw, rs M3X8	XA9-1420-000CN	1



**Figure 7-13.** Internal components 2 of 2 (LJ 3015/3020/3030 printer base)

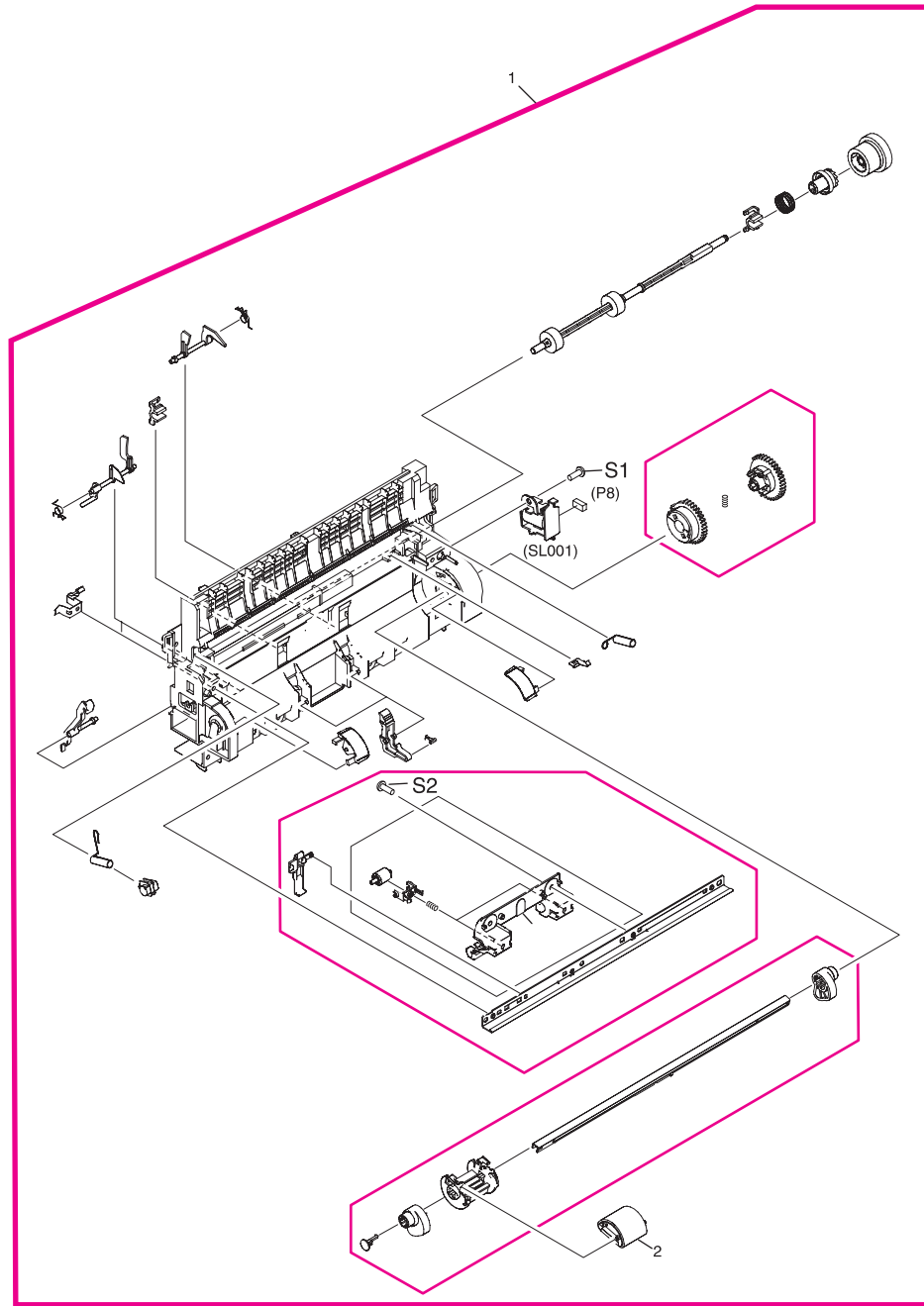


<b>Ref</b>	<b>Description</b>	<b>Part number</b>	<b>Qty</b>
1	Laser/scanner assembly	RM1-0171-000CN	1
2	Engine-controller-PCB assembly	RM1-0907-000CN	1
S5	Screw, rs M3X6	XA9-1495-000CN	3
S6	Screw, rs M3X8	XA9-1420-000CN	2
S7	Screw, rs M2X10	XA9-1501-000CN	1



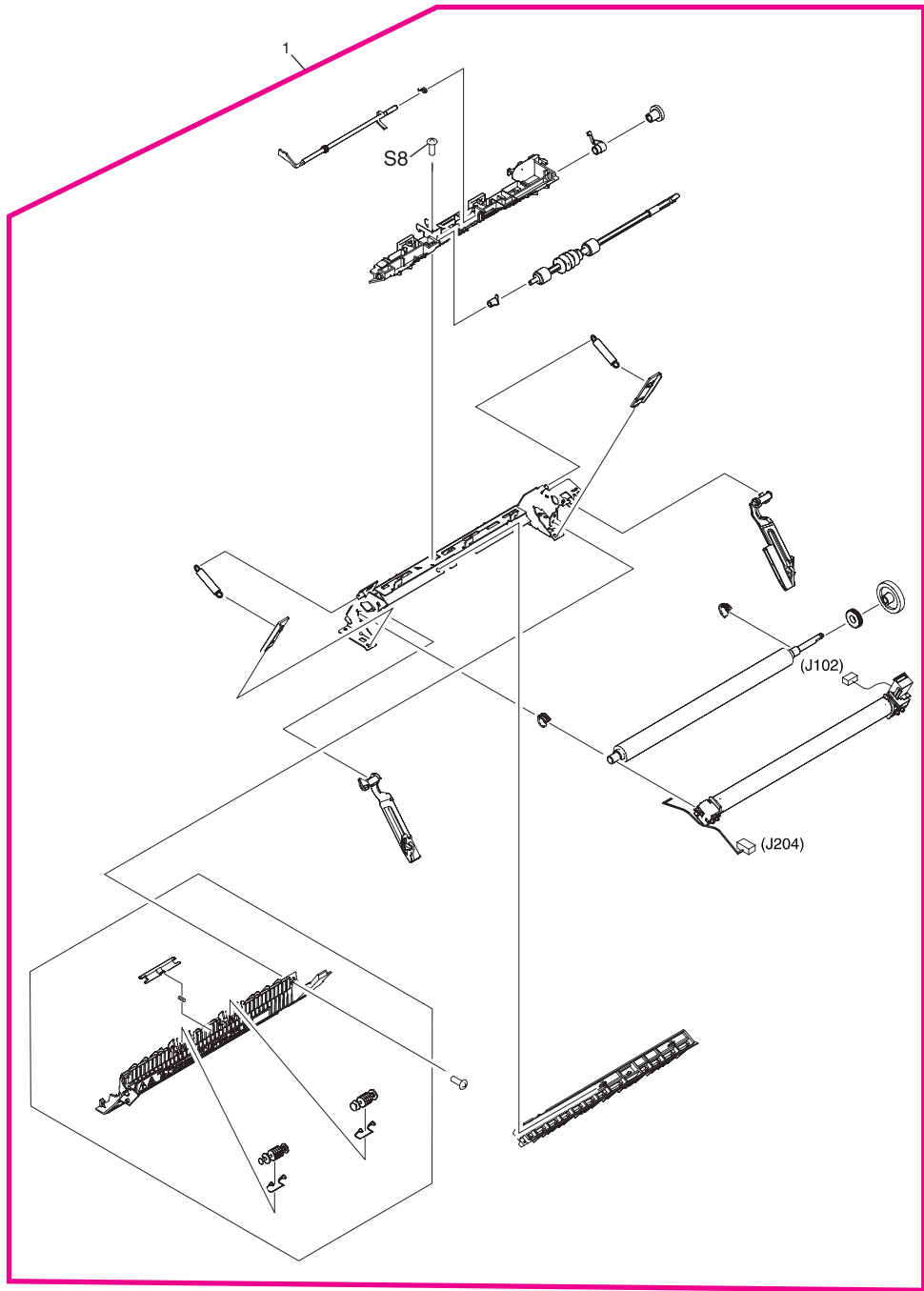
**Figure 7-14.** Internal components 3 of 3 (LJ 3015/3020/3030 printer base)

<b>Ref</b>	<b>Description</b>	<b>Part number</b>	<b>Qty</b>
1	Bushing	RC1-1953-000CN	1
2	Link, coupling lower	RC1-2485-000CN	1
3	Link, coupling top	RC1-2494-000CN	1
4	Speaker assembly	RM1-0915-000CN	1
S5	Screw, rs M3X6	XA9-1495-000CN	2
S6	Screw, rs M3X8	XA9-1420-000CN	1



**Figure 7-15.** Paper-pickup assembly (LJ 3015/3020/3030 printer base)

<b>Ref</b>	<b>Description</b>	<b>Part number</b>	<b>Qty</b>
1	Paper-pickup assembly	RM1-0864-000CN	1
2	Roller, pickup	RL1-0266-000CN	1
S1	Screw, tap M4X10	XB4-5401-009CN	1
S2	Screw, tap BH3X8	XA9-1503-000CN	1



**Figure 7-16.** Fuser (fixing assy) assembly (LJ 3015/3020/3030 printer base)

<b>Ref</b>	<b>Description</b>	<b>Part number</b>	<b>Qty</b>
1	Fuser (fixing assy) assembly 110-127 V	RM1-0862-000CN	1
1	Fuser (fixing assy) assembly 220-240 V	RM1-0863-000CN	1
S8	Screw, w/washer M3X6	XB2-8300-909CN	1

## Alphabetical parts list

**Table 7-4. Alphabetical parts list**

Description	Part number	Table and page
3015 English bezel	Q2669-40002	Table 7-3 on page 291
3015/20/30 print engine <sup>printer</sup> , replacement 110 V	Q2665-67001	Table 7-3 on page 305
3015/20/30 print engine <sup>printer</sup> , replacement 220 V	Q2665-67002	Table 7-3 on page 305
3020 bezel; Arabic	Q2665-40033	Table 7-3 on page 302
3020 bezel; Czech	Q2665-40027	Table 7-3 on page 301
3020 bezel; Danish	Q2665-40022	Table 7-3 on page 301
3020 bezel; Dutch	Q2665-40023	Table 7-3 on page 301
3020 bezel; English	Q2665-40010	Table 7-3 on page 301
3020 bezel; Finnish	Q2665-40024	Table 7-3 on page 301
3020 bezel; French	Q2665-40018	Table 7-3 on page 301
3020 bezel; German	Q2665-40019	Table 7-3 on page 301
3020 bezel; Greek	Q2665-40034	Table 7-3 on page 302
3020 bezel; Hebrew	Q2665-40035	Table 7-3 on page 302
3020 bezel; Hungarian	Q2665-40028	Table 7-3 on page 301
3020 bezel; Italian	Q2665-40020	Table 7-3 on page 301
3020 bezel; Korean	Q2665-40036	Table 7-3 on page 302
3020 bezel; Norwegian	Q2665-40040	Table 7-3 on page 302
3020 bezel; Polish	Q2665-40029	Table 7-3 on page 301
3020 bezel; Portuguese	Q2665-40025	Table 7-3 on page 301
3020 bezel; Russian	Q2665-40030	Table 7-3 on page 301
3020 bezel; Simplified Chinese	Q2665-40037	Table 7-3 on page 302
3020 bezel; Slovak	Q2665-40031	Table 7-3 on page 301
3020 bezel; Spanish	Q2665-40021	Table 7-3 on page 301
3020 bezel; Swedish	Q2665-40026	Table 7-3 on page 301
3020 bezel; Swiss German	Q2665-40042	Table 7-3 on page 302
3020 bezel; Thai	Q2665-40039	Table 7-3 on page 302
3020 bezel; Traditional Chinese	Q2665-40038	Table 7-3 on page 302
3020 bezel; Turkish	Q2665-40032	Table 7-3 on page 301
3020 bezel; Vietnamese	Q2665-40043	Table 7-3 on page 302
3030 bezel; Arabic	Q2666-40018	Table 7-3 on page 302



**Table 7-4. Alphabetical parts list (continued)**

<b>Description</b>	<b>Part number</b>	<b>Table and page</b>
3030 bezel; Czech	Q2666-40012	Table 7-3 on page 302
3030 bezel; Danish	Q2666-40007	Table 7-3 on page 302
3030 bezel; Dutch	Q2666-40008	Table 7-3 on page 302
3030 bezel; English	Q2666-40002	Table 7-3 on page 302
3030 bezel; Finnish	Q2666-40009	Table 7-3 on page 302
3030 bezel; French	Q2666-40003	Table 7-3 on page 302
3030 bezel; German	Q2666-40004	Table 7-3 on page 302
3030 bezel; Greek	Q2666-40019	Table 7-3 on page 302
3030 bezel; Hebrew	Q2666-40020	Table 7-3 on page 302
3030 bezel; Hungarian	Q2666-40013	Table 7-3 on page 302
3030 bezel; Italian	Q2666-40005	Table 7-3 on page 302
3030 bezel; Korean	Q2666-40021	Table 7-3 on page 302
3030 bezel; Norwegian	Q2666-40025	Table 7-3 on page 303
3030 bezel; Polish	Q2666-40014	Table 7-3 on page 302
3030 bezel; Portuguese	Q2666-40010	Table 7-3 on page 302
3030 bezel; Russian	Q2666-40015	Table 7-3 on page 302
3030 bezel; Simplified Chinese	Q2666-40022	Table 7-3 on page 302
3030 bezel; Slovak	Q2666-40016	Table 7-3 on page 302
3030 bezel; Spanish	Q2666-40006	Table 7-3 on page 302
3030 bezel; Swedish	Q2666-40011	Table 7-3 on page 302
3030 bezel; Swiss German	Q2666-40027	Table 7-3 on page 303
3030 bezel; Traditional Chinese	Q2666-40023	Table 7-3 on page 302
3030 bezel; Turkish	Q2666-40017	Table 7-3 on page 302
ADF assembly and flatbed lid	Q2665-60102	Table 7-3 on page 301
ADF cleanout/comb	C7309-40153	Table 7-3 on page 301
ADF glass frame	Q1636-40037	Table 7-3 on page 301
ADF input tray	Q2665-60109	Table 7-3 on page 301
ADF input-tray flag	C7309-40013	Table 7-3 on page 301
ADF input-tray spring	C7309-80013	Table 7-3 on page 301
ADF pickup-roller assembly	C7309-60016	Table 7-3 on page 301
Automatic document feeder and flatbed lid (ADF; part of the flatbed lid)	Q2665-60102-000CN	Table 7-3 on page 297
Bushing	RC1-1953-000CN	Table 7-3 on page 315

**Table 7-4. Alphabetical parts list (continued)**

Description	Part number	Table and page
Compression spring (white platen)	RU5-2196-000CN	Table 7-3 on page 295
Cover, front	RL1-0358-000CN	Table 7-3 on page 309
Cover, left	RC1-2471-000CN	Table 7-3 on page 309
Cover, rear	RC1-2474	Table 7-3 on page 309
Cover, right	RC1-2472-000CN	Table 7-3 on page 309
Cover, top (scanner support frame), printer	RL1-0359-000CN	Table 7-3 on page 309
Delivery tray assembly	RM1-0859-000CN	Table 7-3 on page 305
Delivery-tray assembly (product output bin)	RM1-0859-000CN	Table 7-3 on page 307
Door, print cartridge	RC1-2473-000CN	Table 7-3 on page 309
EMEA LIU (Line interface unit)	Q2687-60002	Table 7-3 on page 305
Engine-controller-PCB assembly	RM1-0907-000CN	Table 7-3 on page 313
Flatbed scanner assembly (does not include the flatbed lid)	Q2665-60112	Table 7-3 on page 301
Flatbed scanner assembly	Q26665-60112-000CN	Table 7-3 on page 297
Fuser (fixing assy) assembly 110-127 V	RM1-0862-000CN	Table 7-3 on page 319
Fuser (fixing assy) assembly 220-240 V	RM1-0863-000CN	Table 7-3 on page 319
HP jewel	7121-8043	Table 7-3 on page 305
HP LaserJet 3015 scanner assembly	NA	Table 7-3 on page 287
HP LaserJet 3020/3030 scanner assembly	NA	Table 7-3 on page 297
Laser/scanner assembly	RM1-0171-000CN	Table 7-3 on page 313
Link, coupling lower	RC1-2485-000CN	Table 7-3 on page 315
Link, coupling top	RC1-2494-000CN	Table 7-3 on page 315
LJ3015 formatter <sup>LIU1</sup>	Q2668-60001	Table 7-3 on page 287
LJ3015 scanner frame assembly	RM1-0883-000CN	Table 7-3 on page 293
LJ3015 scanner pickup assembly	RM1-0885-000CN	Table 7-3 on page 293
LJ3020 copy control panel	Q2665-60101	Table 7-3 on page 297
LJ3020 copy control panel	Q2665-60101	Table 7-3 on page 301
LJ3020 formatter	C2688-60002	Table 7-3 on page 297
LJ3020/3020 ADF glass	C7296-00014	Table 7-3 on page 301
LJ3020/3030 ADF lid	Q26665-60102	Table 7-3 on page 301
LJ3020/3030 ADF solar lock (clip)	Q1636-40036	Table 7-3 on page 301
LJ3020/3030 scanner link assembly left	RM1-0898-000CN	Table 7-3 on page 299

**Table 7-4. Alphabetical parts list (continued)**

<b>Description</b>	<b>Part number</b>	<b>Table and page</b>
LJ3020/3030 scanner link assembly right	RM1-0899-000CN	Table 7-3 on page 299
LJ3020/3030 scanner spring, compression	RU5-2199-000CN	Table 7-3 on page 299
LJ3030 fax control panel	Q2666-60101	Table 7-3 on page 297
LJ3030 fax control panel	Q2666-60101	Table 7-3 on page 302
LJ3030 formatter <sup>LIU2</sup>	Q2664-60001	Table 7-3 on page 297
Motor, stepping	RK2-0107-000CN	Table 7-3 on page 311
Panel, rear	RC1-1985-000CN	Table 7-3 on page 311
Paper-pickup assembly	RM1-0864-000CN	Table 7-3 on page 317
Pickup tray assembly	RM1-0858-000CN	Table 7-3 on page 305
Pickup-tray assembly (media input tray)	RM1-0858-000CN	Table 7-3 on page 307
Power-supply assembly, 110-127 V	RM1-0903-000CN	Table 7-3 on page 311
Power-supply assembly, 220-240 V	RM1-0904-000CN	Table 7-3 on page 311
Print cartridge	Q2460-67913	Table 7-3 on page 305
Roller, pickup	RL1-0266-000CN	Table 7-3 on page 317
Scanner base frame assembly (scanner support frame)	RL1-0375-000CN	Table 7-3 on page 291
Scanner control panel assembly	RK2-0232-000CN	Table 7-3 on page 287
Scanner control-panel assembly	RK2-0232-000CN	Table 7-3 on page 291
Scanner control-panel overlay; Arabic	Q2669-00016	Table 7-3 on page 291
Scanner control-panel overlay; Czech	Q2669-00010	Table 7-3 on page 291
Scanner control-panel overlay; Danish	Q2669-00005	Table 7-3 on page 291
Scanner control-panel overlay; Dutch	Q2669-00006	Table 7-3 on page 291
Scanner control-panel overlay; Finnish	Q2669-00007	Table 7-3 on page 291
Scanner control-panel overlay; French	Q2669-00001	Table 7-3 on page 291
Scanner control-panel overlay; German	Q2669-00002	Table 7-3 on page 291
Scanner control-panel overlay; Hungarian	Q2669-00011	Table 7-3 on page 291
Scanner control-panel overlay; Italian	Q2669-00003	Table 7-3 on page 291
Scanner control-panel overlay; Norwegian	Q2669-00023	Table 7-3 on page 291
Scanner control-panel overlay; Polish	Q2669-00012	Table 7-3 on page 291
Scanner control-panel overlay; Portuguese	Q2669-00008	Table 7-3 on page 291
Scanner control-panel overlay; Russian	Q2669-00013	Table 7-3 on page 291
Scanner control-panel overlay; Slovak	Q2669-00014	Table 7-3 on page 291
Scanner control-panel overlay; Spanish	Q2669-00004	Table 7-3 on page 291

**Table 7-4. Alphabetical parts list (continued)**

<b>Description</b>	<b>Part number</b>	<b>Table and page</b>
Scanner control-panel overlay; Swedish	Q2669-00009	Table 7-3 on page 291
Scanner control-panel overlay; Turkish	Q2669-00015	Table 7-3 on page 291
Scanner cover top assembly	RC1-2564-000CN	Table 7-3 on page 291
Scanner cover, left	RC1-2358-000CN	Table 7-3 on page 291
Scanner cover, right	RC1-2559-000CN	Table 7-3 on page 291
Scanner cushion	RC1-2476-000CN	Table 7-3 on page 309
Scanner flexible flat cable (FFC)	RK2-0236-000CN	Table 7-3 on page 291
Scanner guide assembly	RM1-0889-000CN	Table 7-3 on page 295
Scanner link assembly, left (HP LaserJet 3015)	RM1-0896-000CN	Table 7-3 on page 291
Scanner link assembly, right (HP LaserJet 3015)	RM1-0897-000CN	Table 7-3 on page 291
Scanner media lever (lever, pressure convert)	RC1-2543-000CN	Table 7-3 on page 295
Scanner media lever torsion spring (lever, pressure convert)	RC1-2544-000CN	Table 7-3 on page 295
Scanner pickup tray assembly	RM1-0893-000CN	Table 7-3 on page 289
Scanner separation pad set	RM1-0891-000CN	Table 7-3 on page 295
Scanner separation-pad assembly	RM1-0890-000CN	Table 7-3 on page 295
Scanner sheet, grounding	RL1-0376-000CN	Table 7-3 on page 291
Scanner spring, compression	RU5-2198-000CN	Table 7-3 on page 291
Scanner tray, delivery (wire)	RC1-2560-000CN	Table 7-3 on page 289
Scanner tray, delivery (wire)	RC1-2560-000CN	Table 7-3 on page 287
Scanner white platen	RF5-3235-000CN	Table 7-3 on page 295
Screw, machine M3X6	XB1-2300-605CN	Table 7-3 on page 293
Screw, rs M2X10	XA9-1501-000CN	Table 7-3 on page 313
Screw, rs M3X6	XA9-1495-000CN	Table 7-3 on page 295
Screw, rs M3X6	XA9-1495-000CN	Table 7-3 on page 311
Screw, rs M3X6	XA9-1495-000CN	Table 7-3 on page 313
Screw, rs M3X6	XA9-1495-000CN	Table 7-3 on page 315
Screw, rs M3X8	XA9-1420-000CN	Table 7-3 on page 311
Screw, rs M3X8	XA9-1420-000CN	Table 7-3 on page 313
Screw, rs M3X8	XA9-1420-000CN	Table 7-3 on page 315
Screw, tap BH3X6	XA9-1503-000CN	Table 7-3 on page 291
Screw, tap BH3X8	XA9-1503-000CN	Table 7-3 on page 317
Screw, tap M4X10	XB4-5401-009CN	Table 7-3 on page 291

**Table 7-4. Alphabetical parts list (continued)**

<b>Description</b>	<b>Part number</b>	<b>Table and page</b>
Screw, tap M4X10	XB4-5401-009CN	Table 7-3 on page 293
Screw, tap M4X10	XB4-5401-009CN	Table 7-3 on page 295
Screw, tap M4X10	XB4-5401-009CN	Table 7-3 on page 311
Screw, tap M4X10	XB4-5401-009CN	Table 7-3 on page 317
Screw, w/washer M3X6	XB2-7300-605CN	Table 7-3 on page 293
Screw, w/washer M3X6	XB2-7300-605CN	Table 7-3 on page 295
Screw, w/washer M3X6	XB2-7300-605CN	Table 7-3 on page 311
Screw, w/washer M3X6	XB2-8300-909CN	Table 7-3 on page 319
Separation pad	C7309-60009	Table 7-3 on page 301
Separation-pad assembly, printer	RM1-0648-000CN	Table 7-3 on page 311
Speaker assembly	RM1-0915-000CN	Table 7-3 on page 315
Transfer-roller assembly	RM1-0658-000CN	Table 7-3 on page 311
US/WW LIU (Line interface unit)	Q2663-60001	Table 7-3 on page 305

## Numerical parts list

**Table 7-5. Numerical parts list**

Part number	Description	Table and page
7121-8043	HP jewel	Table 7-3 on page 305
C2688-60002	LJ3020 formatter	Table 7-3 on page 297
C7296-00014	LJ3020/3020 ADF glass	Table 7-3 on page 301
C7309-40013	ADF input-tray flag	Table 7-3 on page 301
C7309-40153	ADF cleanout/comb	Table 7-3 on page 301
C7309-60009	Separation pad	Table 7-3 on page 301
C7309-60016	ADF pickup-roller assembly	Table 7-3 on page 301
C7309-80013	ADF input-tray spring	Table 7-3 on page 301
NA	HP LaserJet 3015 scanner assembly	Table 7-3 on page 287
NA	HP LaserJet 3020/3030 scanner assembly	Table 7-3 on page 297
Q1636-40036	LJ3020/3030 ADF solar lock (clip)	Table 7-3 on page 301
Q1636-40037	ADF glass frame	Table 7-3 on page 301
Q2460-67913	Print cartridge	Table 7-3 on page 305
Q2663-60001	US/WW LIU (Line interface unit)	Table 7-3 on page 305
Q2664-60001	LJ3030 formatter <sup>LIU2</sup>	Table 7-3 on page 297
Q2665-40010	3020 bezel; English	Table 7-3 on page 301
Q2665-40018	3020 bezel; French	Table 7-3 on page 301
Q2665-40019	3020 bezel; German	Table 7-3 on page 301
Q2665-40020	3020 bezel; Italian	Table 7-3 on page 301
Q2665-40021	3020 bezel; Spanish	Table 7-3 on page 301
Q2665-40022	3020 bezel; Danish	Table 7-3 on page 301
Q2665-40023	3020 bezel; Dutch	Table 7-3 on page 301
Q2665-40024	3020 bezel; Finnish	Table 7-3 on page 301
Q2665-40025	3020 bezel; Portuguese	Table 7-3 on page 301
Q2665-40026	3020 bezel; Swedish	Table 7-3 on page 301
Q2665-40027	3020 bezel; Czech	Table 7-3 on page 301
Q2665-40028	3020 bezel; Hungarian	Table 7-3 on page 301
Q2665-40029	3020 bezel; Polish	Table 7-3 on page 301
Q2665-40030	3020 bezel; Russian	Table 7-3 on page 301

**Table 7-5. Numerical parts list (continued)**

<b>Part number</b>	<b>Description</b>	<b>Table and page</b>
Q2665-40031	3020 bezel; Slovak	Table 7-3 on page 301
Q2665-40032	3020 bezel; Turkish	Table 7-3 on page 301
Q2665-40033	3020 bezel; Arabic	Table 7-3 on page 302
Q2665-40034	3020 bezel; Greek	Table 7-3 on page 302
Q2665-40035	3020 bezel; Hebrew	Table 7-3 on page 302
Q2665-40036	3020 bezel; Korean	Table 7-3 on page 302
Q2665-40037	3020 bezel; Simplified Chinese	Table 7-3 on page 302
Q2665-40038	3020 bezel; Traditional Chinese	Table 7-3 on page 302
Q2665-40039	3020 bezel; Thai	Table 7-3 on page 302
Q2665-40040	3020 bezel; Norwegian	Table 7-3 on page 302
Q2665-40042	3020 bezel; Swiss German	Table 7-3 on page 302
Q2665-40043	3020 bezel; Vietnamese	Table 7-3 on page 302
Q2665-60101	LJ3020 copy control panel	Table 7-3 on page 297
Q2665-60101	LJ3020 copy control panel	Table 7-3 on page 301
Q2665-60102	ADF assembly and flatbed lid	Table 7-3 on page 301
Q2665-60102-000CN	Automatic document feeder and flatbed lid (ADF; part of the flatbed lid)	Table 7-3 on page 297
Q2665-60109	ADF input tray	Table 7-3 on page 301
Q2665-60112	Flatbed scanner assembly (does not include the flatbed lid)	Table 7-3 on page 301
Q2665-67001	3015/20/30 print engine <sup>printer</sup> , replacement 110 V	Table 7-3 on page 305
Q2665-67002	3015/20/30 print engine <sup>printer</sup> , replacement 220 V	Table 7-3 on page 305
Q2666-40002	3030 bezel; English	Table 7-3 on page 302
Q2666-40003	3030 bezel; French	Table 7-3 on page 302
Q2666-40004	3030 bezel; German	Table 7-3 on page 302
Q2666-40005	3030 bezel; Italian	Table 7-3 on page 302
Q2666-40006	3030 bezel; Spanish	Table 7-3 on page 302
Q2666-40007	3030 bezel; Danish	Table 7-3 on page 302
Q2666-40008	3030 bezel; Dutch	Table 7-3 on page 302
Q2666-40009	3030 bezel; Finnish	Table 7-3 on page 302
Q2666-40010	3030 bezel; Portuguese	Table 7-3 on page 302
Q2666-40011	3030 bezel; Swedish	Table 7-3 on page 302
Q2666-40012	3030 bezel; Czech	Table 7-3 on page 302

**Table 7-5. Numerical parts list (continued)**

<b>Part number</b>	<b>Description</b>	<b>Table and page</b>
Q2666-40013	3030 bezel; Hungarian	Table 7-3 on page 302
Q2666-40014	3030 bezel; Polish	Table 7-3 on page 302
Q2666-40015	3030 bezel; Russian	Table 7-3 on page 302
Q2666-40016	3030 bezel; Slovak	Table 7-3 on page 302
Q2666-40017	3030 bezel; Turkish	Table 7-3 on page 302
Q2666-40018	3030 bezel; Arabic	Table 7-3 on page 302
Q2666-40019	3030 bezel; Greek	Table 7-3 on page 302
Q2666-40020	3030 bezel; Hebrew	Table 7-3 on page 302
Q2666-40021	3030 bezel; Korean	Table 7-3 on page 302
Q2666-40022	3030 bezel; Simplified Chinese	Table 7-3 on page 302
Q2666-40023	3030 bezel; Traditional Chinese	Table 7-3 on page 302
Q2666-40025	3030 bezel; Norwegian	Table 7-3 on page 303
Q2666-40027	3030 bezel; Swiss German	Table 7-3 on page 303
Q2666-60101	LJ3030 fax control panel	Table 7-3 on page 297
Q2666-60101	LJ3030 fax control panel	Table 7-3 on page 302
Q26665-60102	LJ3020/3030 ADF lid	Table 7-3 on page 301
Q26665-60112-000CN	Flatbed scanner assembly	Table 7-3 on page 297
Q2668-60001	LJ3015 formatter <sup>LIU1</sup>	Table 7-3 on page 287
Q2669-00001	Scanner control-panel overlay; French	Table 7-3 on page 291
Q2669-00002	Scanner control-panel overlay; German	Table 7-3 on page 291
Q2669-00003	Scanner control-panel overlay; Italian	Table 7-3 on page 291
Q2669-00004	Scanner control-panel overlay; Spanish	Table 7-3 on page 291
Q2669-00005	Scanner control-panel overlay; Danish	Table 7-3 on page 291
Q2669-00006	Scanner control-panel overlay; Dutch	Table 7-3 on page 291
Q2669-00007	Scanner control-panel overlay; Finnish	Table 7-3 on page 291
Q2669-00008	Scanner control-panel overlay; Portuguese	Table 7-3 on page 291
Q2669-00009	Scanner control-panel overlay; Swedish	Table 7-3 on page 291
Q2669-00010	Scanner control-panel overlay; Czech	Table 7-3 on page 291
Q2669-00011	Scanner control-panel overlay; Hungarian	Table 7-3 on page 291
Q2669-00012	Scanner control-panel overlay; Polish	Table 7-3 on page 291
Q2669-00013	Scanner control-panel overlay; Russian	Table 7-3 on page 291
Q2669-00014	Scanner control-panel overlay; Slovak	Table 7-3 on page 291



**Table 7-5. Numerical parts list (continued)**

<b>Part number</b>	<b>Description</b>	<b>Table and page</b>
Q2669-00015	Scanner control-panel overlay; Turkish	Table 7-3 on page 291
Q2669-00016	Scanner control-panel overlay; Arabic	Table 7-3 on page 291
Q2669-00023	Scanner control-panel overlay; Norwegian	Table 7-3 on page 291
Q2669-40002	3015 English bezel	Table 7-3 on page 291
Q2687-60002	EMEA LIU (Line interface unit)	Table 7-3 on page 305
RC1-1953-000CN	Bushing	Table 7-3 on page 315
RC1-1985-000CN	Panel, rear	Table 7-3 on page 311
RC1-2358-000CN	Scanner cover, left	Table 7-3 on page 291
RC1-2471-000CN	Cover, left	Table 7-3 on page 309
RC1-2472-000CN	Cover, right	Table 7-3 on page 309
RC1-2473-000CN	Door, print cartridge	Table 7-3 on page 309
RC1-2474	Cover, rear	Table 7-3 on page 309
RC1-2476-000CN	Scanner cushion	Table 7-3 on page 309
RC1-2485-000CN	Link, coupling lower	Table 7-3 on page 315
RC1-2494-000CN	Link, coupling top	Table 7-3 on page 315
RC1-2543-000CN	Scanner media lever (lever, pressure convert)	Table 7-3 on page 295
RC1-2544-000CN	Scanner media lever torsion spring (lever, pressure convert)	Table 7-3 on page 295
RC1-2559-000CN	Scanner cover, right	Table 7-3 on page 291
RC1-2560-000CN	Scanner tray, delivery (wire)	Table 7-3 on page 287
RC1-2560-000CN	Scanner tray, delivery (wire)	Table 7-3 on page 289
RC1-2564-000CN	Scanner cover top assembly	Table 7-3 on page 291
RF5-3235-000CN	Scanner white platen	Table 7-3 on page 295
RK2-0107-000CN	Motor, stepping	Table 7-3 on page 311
RK2-0232-000CN	Scanner control panel assembly	Table 7-3 on page 287
RK2-0232-000CN	Scanner control-panel assembly	Table 7-3 on page 291
RK2-0236-000CN	Scanner flexible flat cable (FFC)	Table 7-3 on page 291
RL1-0266-000CN	Roller, pickup	Table 7-3 on page 317
RL1-0358-000CN	Cover, front	Table 7-3 on page 309
RL1-0359-000CN	Cover, top (scanner support frame), printer	Table 7-3 on page 309
RL1-0375-000CN	Scanner base frame assembly (scanner support frame)	Table 7-3 on page 291
RL1-0376-000CN	Scanner sheet, grounding	Table 7-3 on page 291

**Table 7-5. Numerical parts list (continued)**

<b>Part number</b>	<b>Description</b>	<b>Table and page</b>
RM1-0171-000CN	Laser/scanner assembly	Table 7-3 on page 313
RM1-0648-000CN	Separation-pad assembly, printer	Table 7-3 on page 311
RM1-0658-000CN	Transfer-roller assembly	Table 7-3 on page 311
RM1-0858-000CN	Pickup tray assembly	Table 7-3 on page 305
RM1-0858-000CN	Pickup-tray assembly (media input tray)	Table 7-3 on page 307
RM1-0859-000CN	Delivery tray assembly	Table 7-3 on page 305
RM1-0859-000CN	Delivery-tray assembly (product output bin)	Table 7-3 on page 307
RM1-0862-000CN	Fuser (fixing assy) assembly 110-127 V	Table 7-3 on page 319
RM1-0863-000CN	Fuser (fixing assy) assembly 220-240 V	Table 7-3 on page 319
RM1-0864-000CN	Paper-pickup assembly	Table 7-3 on page 317
RM1-0883-000CN	LJ3015 scanner frame assembly	Table 7-3 on page 293
RM1-0885-000CN	LJ3015 scanner pickup assembly	Table 7-3 on page 293
RM1-0889-000CN	Scanner guide assembly	Table 7-3 on page 295
RM1-0890-000CN	Scanner separation-pad assembly	Table 7-3 on page 295
RM1-0891-000CN	Scanner separation pad set	Table 7-3 on page 295
RM1-0893-000CN	Scanner pickup tray assembly	Table 7-3 on page 289
RM1-0896-000CN	Scanner link assembly, left (HP LaserJet 3015)	Table 7-3 on page 291
RM1-0897-000CN	Scanner link assembly, right (HP LaserJet 3015)	Table 7-3 on page 291
RM1-0898-000CN	LJ3020/3030 scanner link assembly left	Table 7-3 on page 299
RM1-0899-000CN	LJ3020/3030 scanner link assembly right	Table 7-3 on page 299
RM1-0903-000CN	Power-supply assembly, 110-127 V	Table 7-3 on page 311
RM1-0904-000CN	Power-supply assembly, 220-240 V	Table 7-3 on page 311
RM1-0907-000CN	Engine-controller-PCB assembly	Table 7-3 on page 313
RM1-0915-000CN	Speaker assembly	Table 7-3 on page 315
RU5-2196-000CN	Compression spring (white platen)	Table 7-3 on page 295
RU5-2198-000CN	Scanner spring, compression	Table 7-3 on page 291
RU5-2199-000CN	LJ3020/3030 scanner spring, compression	Table 7-3 on page 299
XA9-1420-000CN	Screw, rs M3X8	Table 7-3 on page 311
XA9-1420-000CN	Screw, rs M3X8	Table 7-3 on page 313
XA9-1420-000CN	Screw, rs M3X8	Table 7-3 on page 315
XA9-1495-000CN	Screw, rs M3X6	Table 7-3 on page 295
XA9-1495-000CN	Screw, rs M3X6	Table 7-3 on page 311

**Table 7-5. Numerical parts list (continued)**

<b>Part number</b>	<b>Description</b>	<b>Table and page</b>
XA9-1495-000CN	Screw, rs M3X6	Table 7-3 on page 313
XA9-1495-000CN	Screw, rs M3X6	Table 7-3 on page 315
XA9-1501-000CN	Screw, rs M2X10	Table 7-3 on page 313
XA9-1503-000CN	Screw, tap BH3X6	Table 7-3 on page 291
XA9-1503-000CN	Screw, tap BH3X8	Table 7-3 on page 317
XB1-2300-605CN	Screw, machine M3X6	Table 7-3 on page 293
XB2-7300-605CN	Screw, w/washer M3X6	Table 7-3 on page 293
XB2-7300-605CN	Screw, w/washer M3X6	Table 7-3 on page 295
XB2-7300-605CN	Screw, w/washer M3X6	Table 7-3 on page 311
XB2-8300-909CN	Screw, w/washer M3X6	Table 7-3 on page 319
XB4-5401-009CN	Screw, tap M4X10	Table 7-3 on page 291
XB4-5401-009CN	Screw, tap M4X10	Table 7-3 on page 293
XB4-5401-009CN	Screw, tap M4X10	Table 7-3 on page 295
XB4-5401-009CN	Screw, tap M4X10	Table 7-3 on page 311
XB4-5401-009CN	Screw, tap M4X10	Table 7-3 on page 317

